

TECHNICAL PRODUCT SUBMITTAL

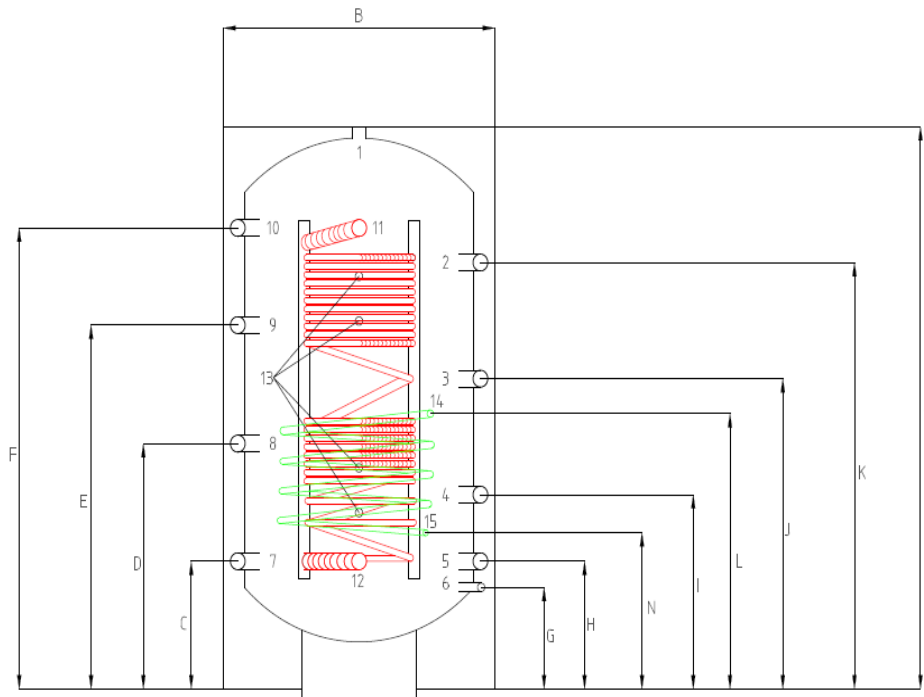
HSV THERMAL STORE

Model HSV601

Model HSV602

EFFICIENCY DATA-Part L2	
Insulation Thickness	mm
Insulation Type	
Heat Loss	kWh/24h
EFFICIENCY DATA ErP AND ENERGY LABEL	
Ecodesign Energy Label rating	
Standing Loss	W
GENERAL DATA	
Storage Capacity	litres
DHW Coil Capacity	litres
Weight Empty	kg
Weight Full and Insulated	kg
Maximum Vessel Pressure	bar
Maximum Pressure DHW Coil	bar
Maximum Pressure Solar Coil	bar
Maximum Vessel Temperature	°C
Maximum Temperature Coils	°C

100	100
Polyurethane with PVC outer jacket	
2.46	2.46
C	C
102.5	102.5
600	600
5.65	5.65
205	205
805	805
3	3
6	6
n/a	16
95	95
95	95



The HSV Thermal store must be installed and maintained in line with the Installation Commissioning and Maintenance Instructions which are available on the Literature & Downloads section of www.lochinvar.ltd.uk

ErP and Warranty

ErP Data including Product Fiche and Energy Labels where applicable and Warranty information are also available at www.lochinvar.ltd.uk

TECHNICAL PRODUCT SUBMITTAL

HSV THERMAL STORE



Item	Description	Unit	HSV601/602	HSV801/802	HSV1001/1002	HSV1501/1502	HSV2001/2002
A	Total Height (with insulation)	mm	1900	1880	2270	2665	2500
B	Diameter of Water Heater (with insulation)	mm	850	990	1050	1200	1300
	Diameter of Water Heater (without insulation)	mm	650	790	850	1000	1100
A	Height of AAV Connection	mm	1900	1880	2270	2665	2500
C	Height of Tank body connection	mm	285	270	270	400	380
C	Height of DHW Coil cold inlet connection	mm	285	270	270	400	380
D	Height of Tank body connection	mm	715	685	815	1015	925
E	Height of Tank body connection	mm	1145	1115	1380	1640	1475
F	Height of Tank body connection	mm	1570	1550	1950	2260	2030
F	Height of DHW Coil hot outlet connection	mm	1570	1550	1950	2260	2030
H	Height of Tank body connection	mm	290	250	250	380	380
I	Height of Tank body connection	mm	505	455	530	705	655
J	Height of Tank body connection	mm	930	900	1100	1325	1205
K	Height of Tank body connection	mm	1355	1335	1665	1950	1750
L	Height of Solar flow connection*	mm	760	750	750	1260	1250
M	Height of Solar return connection*	mm	360	330	330	460	450

Item	Description	Unit	HSV601/602	HSV801/802	HSV1001/1002	HSV1501/1502	HSV2001/2002
1	Connection T&P-valve	BSP	1"	1"	1"	1"	1"
2	Connection Tank body	BSP	1"	1"	1"	1"	1"
3	Connection Tank body	BSP	1"	1"	1"	1"	1"
4	Connection Tank body	BSP	1"	1"	1"	1"	1"
5	Connection ASHP return	BSP	1½"	1½"	1½"	1½"	1½"
6	Connection Drain	BSP	1"	1"	1"	1"	1"
7	Connection Tank body	BSP	1"	1"	1"	1"	1"
8	Connection Tank body	BSP	1"	1"	1"	1"	1"
9	Connection Tank body	BSP	1"	1"	1"	1"	1"
10	Connection ASHP flow	BSP	1½"	1½"	1½"	1½"	1½"
11	Connection Hot Water Outlet	BSP	1¼"	1¼"	1¼"	1¼"	1¼"
12	Connection Cold Water Inlet	BSP	1¼"	1¼"	1¼"	1¼"	1¼"
13	Connection sensor point	BSP	½"	½"	½"	½"	½"
14	Connection Solar Flow*	BSP	1"	1"	1"	1"	1"
15	Connection Solar Return*	BSP	1"	1"	1"	1"	1"

*On version 02 models only

TECHNICAL PRODUCT SUBMITTAL
HSV THERMAL STORE



TECHNICAL PRODUCT SUBMITTAL

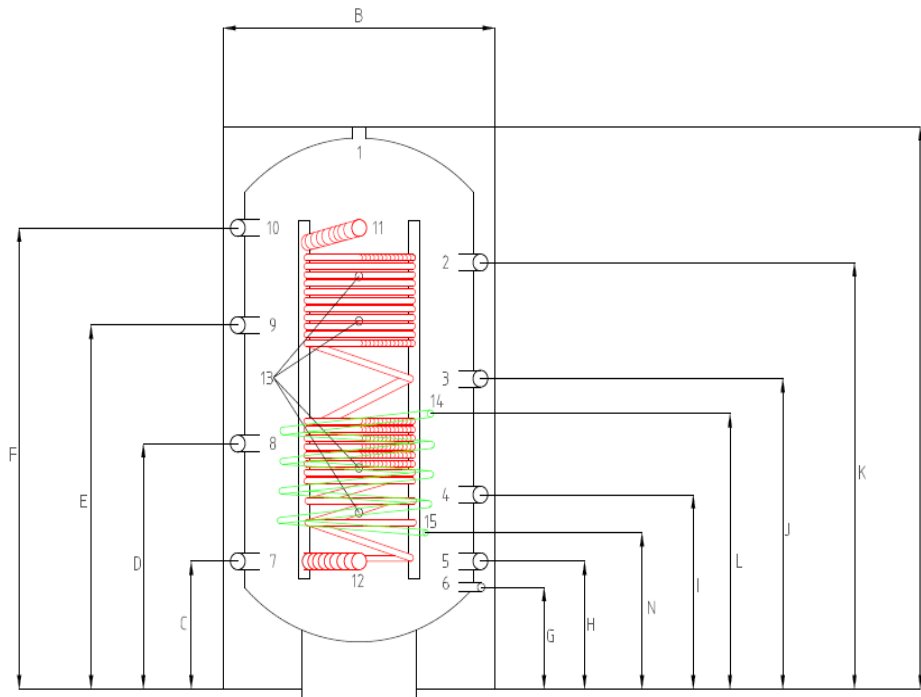
HSV THERMAL STORE

Model HSV801

Model HSV802

EFFICIENCY DATA-Part L2	
Insulation Thickness	mm
Insulation Type	
Heat Loss	kWh/24h
EFFICIENCY DATA ErP AND ENERGY LABEL	
Ecodesign Energy Label rating	
Standing Loss	W
GENERAL DATA	
Storage Capacity	litres
DHW Coil Capacity	litres
Weight Empty	kg
Weight Full and Insulated	kg
Maximum Vessel Pressure	bar
Maximum Pressure DHW Coil	bar
Maximum Pressure Solar Coil	bar
Maximum Vessel Temperature	°C
Maximum Temperature Coils	°C

100	100
Polyurethane with PVC outer jacket	
2.80	2.80
C	C
116.7	116.7
800	800
5.65	5.65
210	210
1010	1010
3	3
6	6
n/a	16
95	95
95	95



The HSV Thermal store must be installed and maintained in line with the Installation Commissioning and Maintenance Instructions which are available on the Literature & Downloads section of www.lochinvar.ltd.uk

ErP and Warranty

ErP Data including Product Fiche and Energy Labels where applicable and Warranty information are also available at www.lochinvar.ltd.uk

TECHNICAL PRODUCT SUBMITTAL

HSV THERMAL STORE



Item	Description	Unit	HSV601/602	HSV801/802	HSV1001/1002	HSV1501/1502	HSV2001/2002
A	Total Height (with insulation)	mm	1900	1880	2270	2665	2500
B	Diameter of Water Heater (with insulation)	mm	850	990	1050	1200	1300
	Diameter of Water Heater (without insulation)	mm	650	790	850	1000	1100
A	Height of AAV Connection	mm	1900	1880	2270	2665	2500
C	Height of Tank body connection	mm	285	270	270	400	380
C	Height of DHW Coil cold inlet connection	mm	285	270	270	400	380
D	Height of Tank body connection	mm	715	685	815	1015	925
E	Height of Tank body connection	mm	1145	1115	1380	1640	1475
F	Height of Tank body connection	mm	1570	1550	1950	2260	2030
F	Height of DHW Coil hot outlet connection	mm	1570	1550	1950	2260	2030
H	Height of Tank body connection	mm	290	250	250	380	380
I	Height of Tank body connection	mm	505	455	530	705	655
J	Height of Tank body connection	mm	930	900	1100	1325	1205
K	Height of Tank body connection	mm	1355	1335	1665	1950	1750
L	Height of Solar flow connection*	mm	760	750	750	1260	1250
M	Height of Solar return connection*	mm	360	330	330	460	450

Item	Description	Unit	HSV601/602	HSV801/802	HSV1001/1002	HSV1501/1502	HSV2001/2002
1	Connection T&P-valve	BSP	1"	1"	1"	1"	1"
2	Connection Tank body	BSP	1"	1"	1"	1"	1"
3	Connection Tank body	BSP	1"	1"	1"	1"	1"
4	Connection Tank body	BSP	1"	1"	1"	1"	1"
5	Connection ASHP return	BSP	1½"	1½"	1½"	1½"	1½"
6	Connection Drain	BSP	1"	1"	1"	1"	1"
7	Connection Tank body	BSP	1"	1"	1"	1"	1"
8	Connection Tank body	BSP	1"	1"	1"	1"	1"
9	Connection Tank body	BSP	1"	1"	1"	1"	1"
10	Connection ASHP flow	BSP	1½"	1½"	1½"	1½"	1½"
11	Connection Hot Water Outlet	BSP	1¼"	1¼"	1¼"	1¼"	1¼"
12	Connection Cold Water Inlet	BSP	1¼"	1¼"	1¼"	1¼"	1¼"
13	Connection sensor point	BSP	½"	½"	½"	½"	½"
14	Connection Solar Flow*	BSP	1"	1"	1"	1"	1"
15	Connection Solar Return*	BSP	1"	1"	1"	1"	1"

*On version 02 models only

TECHNICAL PRODUCT SUBMITTAL

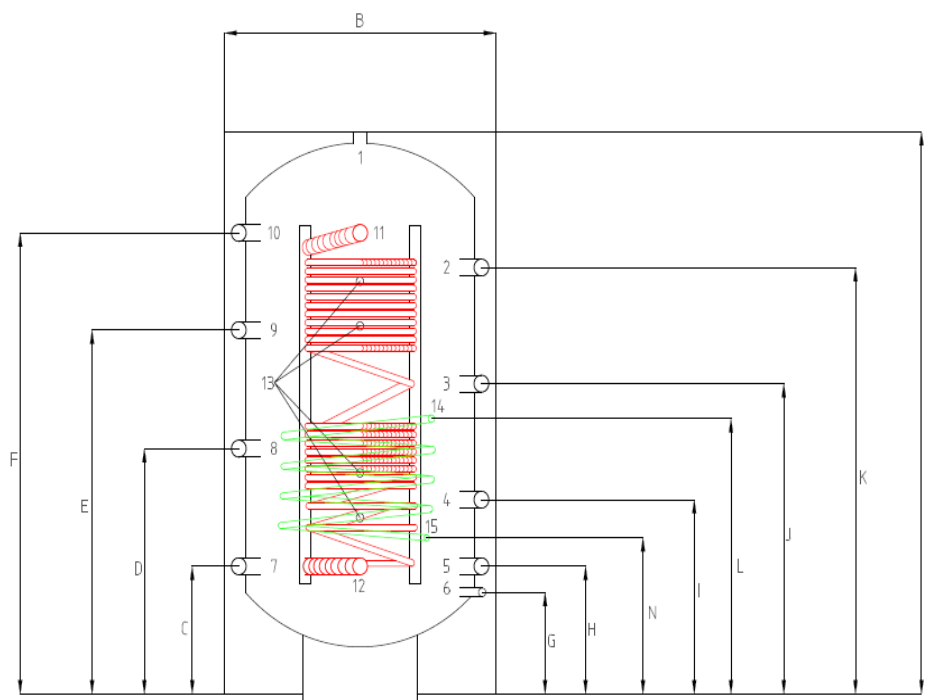
HSV THERMAL STORE

Model HSV1001

Model HSV1002

EFFICIENCY DATA-Part L2	
Insulation Thickness	mm
Insulation Type	
Heat Loss	kWh/24h
EFFICIENCY DATA ErP AND ENERGY LABEL	
Ecodesign Energy Label rating	
Standing Loss	W
GENERAL DATA	
Storage Capacity	litres
DHW Coil Capacity	litres
Weight Empty	kg
Weight Full and Insulated	kg
Maximum Vessel Pressure	bar
Maximum Pressure DHW Coil	bar
Maximum Pressure Solar Coil	bar
Maximum Vessel Temperature	°C
Maximum Temperature Coils	°C

100	100
Polyurethane with PVC outer jacket	
3.14	3.14
C	C
130.8	130.8
1000	1000
6.95	6.95
238	238
1238	1238
3	3
6	6
n/a	16
95	95
95	95



The HSV Thermal store must be installed and maintained in line with the Installation Commissioning and Maintenance Instructions which are available on the Literature & Downloads section of www.lochinvar.ltd.uk

ErP and Warranty

ErP Data including Product Fiche and Energy Labels where applicable and Warranty information are also available at www.lochinvar.ltd.uk

TECHNICAL PRODUCT SUBMITTAL

HSV THERMAL STORE



Item	Description	Unit	HSV601/602	HSV801/802	HSV1001/1002	HSV1501/1502	HSV2001/2002
A	Total Height (with insulation)	mm	1900	1880	2270	2665	2500
B	Diameter of Water Heater (with insulation)	mm	850	990	1050	1200	1300
	Diameter of Water Heater (without insulation)	mm	650	790	850	1000	1100
A	Height of AAV Connection	mm	1900	1880	2270	2665	2500
C	Height of Tank body connection	mm	285	270	270	400	380
C	Height of DHW Coil cold inlet connection	mm	285	270	270	400	380
D	Height of Tank body connection	mm	715	685	815	1015	925
E	Height of Tank body connection	mm	1145	1115	1380	1640	1475
F	Height of Tank body connection	mm	1570	1550	1950	2260	2030
F	Height of DHW Coil hot outlet connection	mm	1570	1550	1950	2260	2030
H	Height of Tank body connection	mm	290	250	250	380	380
I	Height of Tank body connection	mm	505	455	530	705	655
J	Height of Tank body connection	mm	930	900	1100	1325	1205
K	Height of Tank body connection	mm	1355	1335	1665	1950	1750
L	Height of Solar flow connection*	mm	760	750	750	1260	1250
M	Height of Solar return connection*	mm	360	330	330	460	450

Item	Description	Unit	HSV601/602	HSV801/802	HSV1001/1002	HSV1501/1502	HSV2001/2002
1	Connection T&P-valve	BSP	1"	1"	1"	1"	1"
2	Connection Tank body	BSP	1"	1"	1"	1"	1"
3	Connection Tank body	BSP	1"	1"	1"	1"	1"
4	Connection Tank body	BSP	1"	1"	1"	1"	1"
5	Connection ASHP return	BSP	1½"	1½"	1½"	1½"	1½"
6	Connection Drain	BSP	1"	1"	1"	1"	1"
7	Connection Tank body	BSP	1"	1"	1"	1"	1"
8	Connection Tank body	BSP	1"	1"	1"	1"	1"
9	Connection Tank body	BSP	1"	1"	1"	1"	1"
10	Connection ASHP flow	BSP	1½"	1½"	1½"	1½"	1½"
11	Connection Hot Water Outlet	BSP	1¼"	1¼"	1¼"	1¼"	1¼"
12	Connection Cold Water Inlet	BSP	1¼"	1¼"	1¼"	1¼"	1¼"
13	Connection sensor point	BSP	½"	½"	½"	½"	½"
14	Connection Solar Flow*	BSP	1"	1"	1"	1"	1"
15	Connection Solar Return*	BSP	1"	1"	1"	1"	1"

*On version 02 models only

TECHNICAL PRODUCT SUBMITTAL

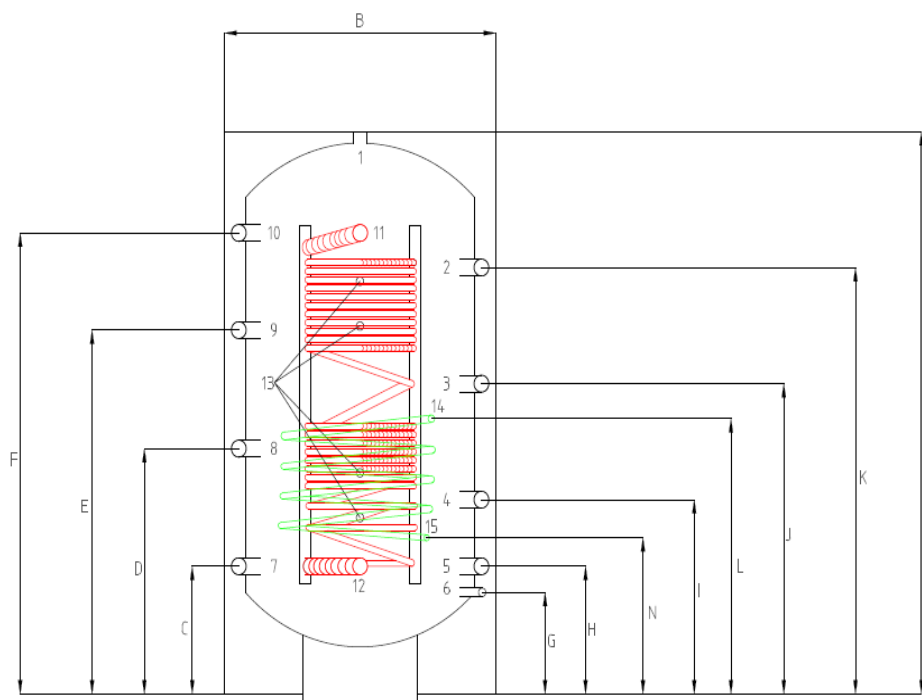
HSV THERMAL STORE

Model HSV2001

Model HSV2002

EFFICIENCY DATA-Part L2	
Insulation Thickness	mm
Insulation Type	
Heat Loss	kWh/24h
EFFICIENCY DATA ErP AND ENERGY LABEL	
Ecodesign Energy Label rating	
Standing Loss	W
GENERAL DATA	
Storage Capacity	litres
DHW Coil Capacity	litres
Weight Empty	kg
Weight Full and Insulated	kg
Maximum Vessel Pressure	bar
Maximum Pressure DHW Coil	bar
Maximum Pressure Solar Coil	bar
Maximum Vessel Temperature	°C
Maximum Temperature Coils	°C

100	100
Polyurethane with PVC outer jacket	
4.46	4.46
C	C
185.8	185.8
2000	2000
8	8
378	378
2378	2378
3	3
6	6
n/a	16
95	95
95	95



The HSV Thermal store must be installed and maintained in line with the Installation Commissioning and Maintenance Instructions which are available on the Literature & Downloads section of www.lochinvar.ltd.uk

ErP and Warranty

ErP Data including Product Fiche and Energy Labels where applicable and Warranty information are also available at www.lochinvar.ltd.uk

TECHNICAL PRODUCT SUBMITTAL

HSV THERMAL STORE



Item	Description	Unit	HSV601/602	HSV801/802	HSV1001/1002	HSV1501/1502	HSV2001/2002
A	Total Height (with insulation)	mm	1900	1880	2270	2665	2500
B	Diameter of Water Heater (with insulation)	mm	850	990	1050	1200	1300
	Diameter of Water Heater (without insulation)	mm	650	790	850	1000	1100
A	Height of AAV Connection	mm	1900	1880	2270	2665	2500
C	Height of Tank body connection	mm	285	270	270	400	380
C	Height of DHW Coil cold inlet connection	mm	285	270	270	400	380
D	Height of Tank body connection	mm	715	685	815	1015	925
E	Height of Tank body connection	mm	1145	1115	1380	1640	1475
F	Height of Tank body connection	mm	1570	1550	1950	2260	2030
F	Height of DHW Coil hot outlet connection	mm	1570	1550	1950	2260	2030
H	Height of Tank body connection	mm	290	250	250	380	380
I	Height of Tank body connection	mm	505	455	530	705	655
J	Height of Tank body connection	mm	930	900	1100	1325	1205
K	Height of Tank body connection	mm	1355	1335	1665	1950	1750
L	Height of Solar flow connection*	mm	760	750	750	1260	1250
M	Height of Solar return connection*	mm	360	330	330	460	450

Item	Description	Unit	HSV601/602	HSV801/802	HSV1001/1002	HSV1501/1502	HSV2001/2002
1	Connection T&P-valve	BSP	1"	1"	1"	1"	1"
2	Connection Tank body	BSP	1"	1"	1"	1"	1"
3	Connection Tank body	BSP	1"	1"	1"	1"	1"
4	Connection Tank body	BSP	1"	1"	1"	1"	1"
5	Connection ASHP return	BSP	1½"	1½"	1½"	1½"	1½"
6	Connection Drain	BSP	1"	1"	1"	1"	1"
7	Connection Tank body	BSP	1"	1"	1"	1"	1"
8	Connection Tank body	BSP	1"	1"	1"	1"	1"
9	Connection Tank body	BSP	1"	1"	1"	1"	1"
10	Connection ASHP flow	BSP	1½"	1½"	1½"	1½"	1½"
11	Connection Hot Water Outlet	BSP	1¼"	1¼"	1¼"	1¼"	1¼"
12	Connection Cold Water Inlet	BSP	1¼"	1¼"	1¼"	1¼"	1¼"
13	Connection sensor point	BSP	½"	½"	½"	½"	½"
14	Connection Solar Flow*	BSP	1"	1"	1"	1"	1"
15	Connection Solar Return*	BSP	1"	1"	1"	1"	1"

*On version 02 models only